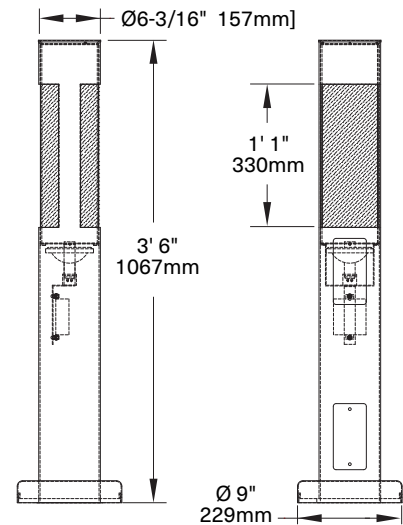
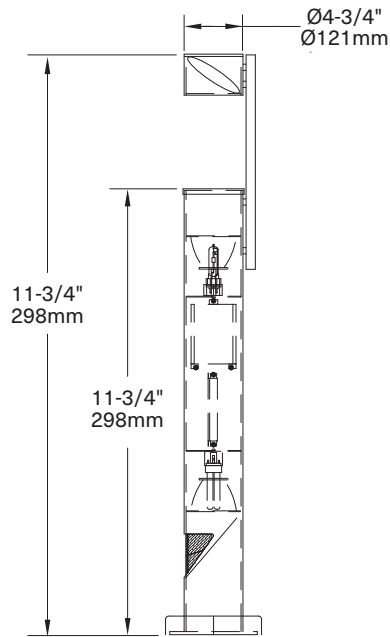


## Kent County Superior Court House - Warwick, RI



**IRS® 1040 Bollard**

**Stainless Steel Bollard**



**MXT-B054-V39/CFL13-SS**

316 marine grade, 14-gauge stainless steel construction with #4 brushed finish. Top and bottom reflectors with impact resistant polycarbonate lenses. 35 watt CDM-T lamp for upper light source with 39 watt electronic ballast. 13 watt compact fluorescent lamp for lower light source with 13 watt electronic ballast. Stainless steel hardware. All lenses gasketed. Upper reflector is able to be rotated to reposition light beam direction in an arc around the fixture. Available with LED light sources. Consult factory for details. Fixture is IP66 rated. US Patent numbers: 7,207,698 B2 – 8,231,242 B2 – 8,740,407 B2. **Customization options available. Consult factory for details.**

**MXT-B305-S39-SS**

316 marine grade, 14-gauge stainless steel construction with 39 watt CDM-R111 lamp and white opal polycarbonate diffuser. Integral ballast. Available with LED light sources. Fixture is IP66 rated. **Customization options available. Consult factory for details.**