

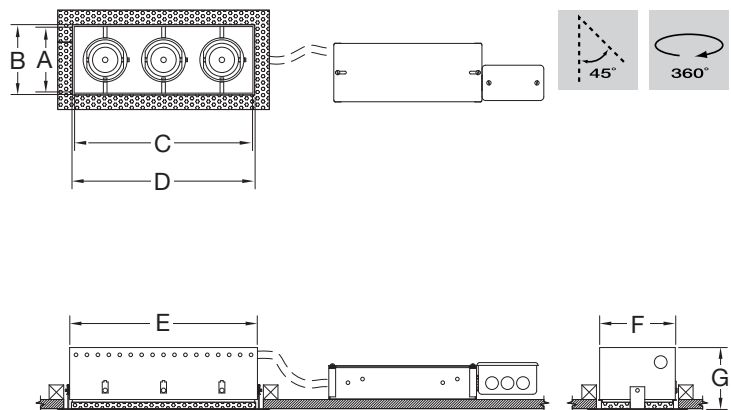
# Modular Multiples®

## Trimless

Recessed - New/Old Work

For applications where ceilings are currently installed. An opening is cut into the ceiling material to fit the trimless mounting frame, which is secured with the appropriate hardware. Spackling compound is applied over the perforated flange and finished for a smooth appearance. Fixture wiring connections are made and fixture is inserted through the installed frame and sat in place on top of the frame and secured with provided hardware.

### Three Lamp



M-3-LED/16-2-TA-REC-TL-CY

Modular Multiples® Trimless Series, three 16w LED Modules, black housing, transformer attached, rectangular aperture, trimless, shielding cylinder configuration. Other configurations available.

[Download CSI drop-in spec template](#)

LAMPS and DIMENSIONS	A	B	C	D	E	F	G
LED506, LED513 / MR16LED / MR16	4-9/16" 116mm	4-13/16" 122mm	1'1/4" 311mm	1'1/2" 318mm	1'7/8" 327mm	5-3/16" 132mm	4-3/16" 106mm
LED708, 714, 716, 930 / AR111LED / AR111	7-1/2" 191mm	7-3/4" 197mm	1'9" 533mm	1'9-1/4" 540mm	1'9-5/8" 549mm	8-1/8" 206mm	6-9/16" 167mm

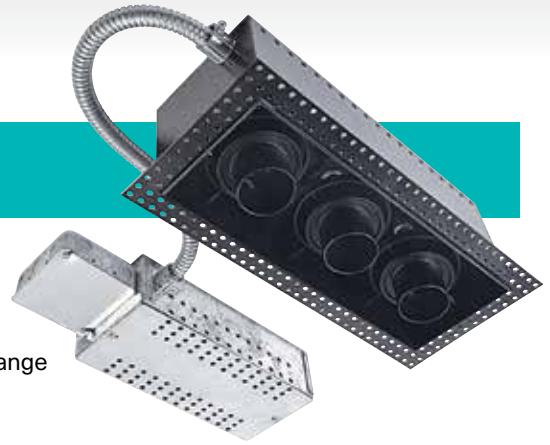
# Modular Multiples®

The Original Multiple Lamp Family of Fixtures

3

## Trimless

Recessed - New/Old Work



- Configurations:**
- 1, 2, 3, 4 light units standard
  - Custom configurations available

**Housing:** Fabricated 18 gauge steel housing with perforated spackle flange

- Finishes:**
- Housing and ring sets powder coated – white or black standard
  - Custom colors available
  - Stainless steel / satin nickel available

- Electrical:**
- Attached electronic power supply(s) / transformer(s) / ballast(s)
  - Dimmable (not applicable on HID products)
  - One power supply / transformer per lamp allowing for multi-circuit wiring.
  - 120v and 277v available
  - Listed to UL1598 standards

[Download CSI drop-in spec template](#)



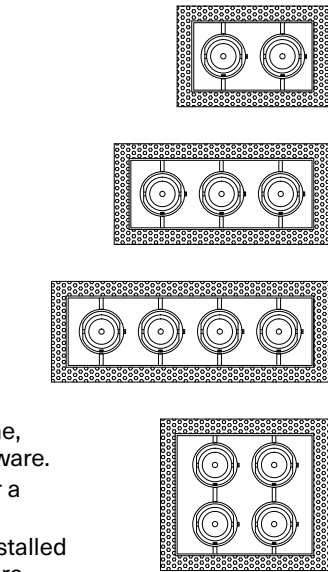
**Lamping:**

**Standard LED Modules**

6w LED-506-6	12w LED-512-12	12w LED-512-22
8w LED-708-6	14w LED-714-12	14w LED-714-22
16w LED-716-12	16w LED-716-22	16w LED-716-45
30w LED-930-12	30w LED-930-22	30w LED-930-45

**Direct Replacement LED or Legacy Lamps:**

MR16LED (BLD)	MR16 HALOGEN (B)	MR16CMH (BH)
AR111LED (DLD)	AR111 HALOGEN (D)	CDMR111 (S)
PAR30LED (GLD)	PAR30 (G)	PAR30HID (H)
PAR38LED (JLD)	PAR38 (J)	PAR38HID (K)



**Mounting:**

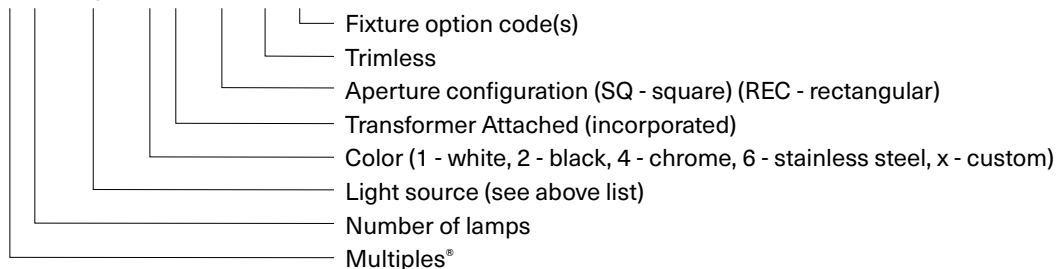
- For applications where ceilings are currently installed.
- An opening is cut into the ceiling material to fit the trimless mounting frame, which is secured to the ceiling or wall structure with the appropriate hardware.
- Spackling compound is applied over the perforated flange and finished for a smooth appearance.
- Fixture wiring connections are made, the fixture is inserted through the installed frame, set in place on top of the frame, and secured with provided hardware.

**Options:**

- Patented die-cast aluminum ring sets and locking devices
- Pull down yokes
- Shielding cones
- Filter media
  - LED modules accept one 1/8" thick filter
  - LED direct replacement and legacy lamps accept up to two 1/8" thick filters

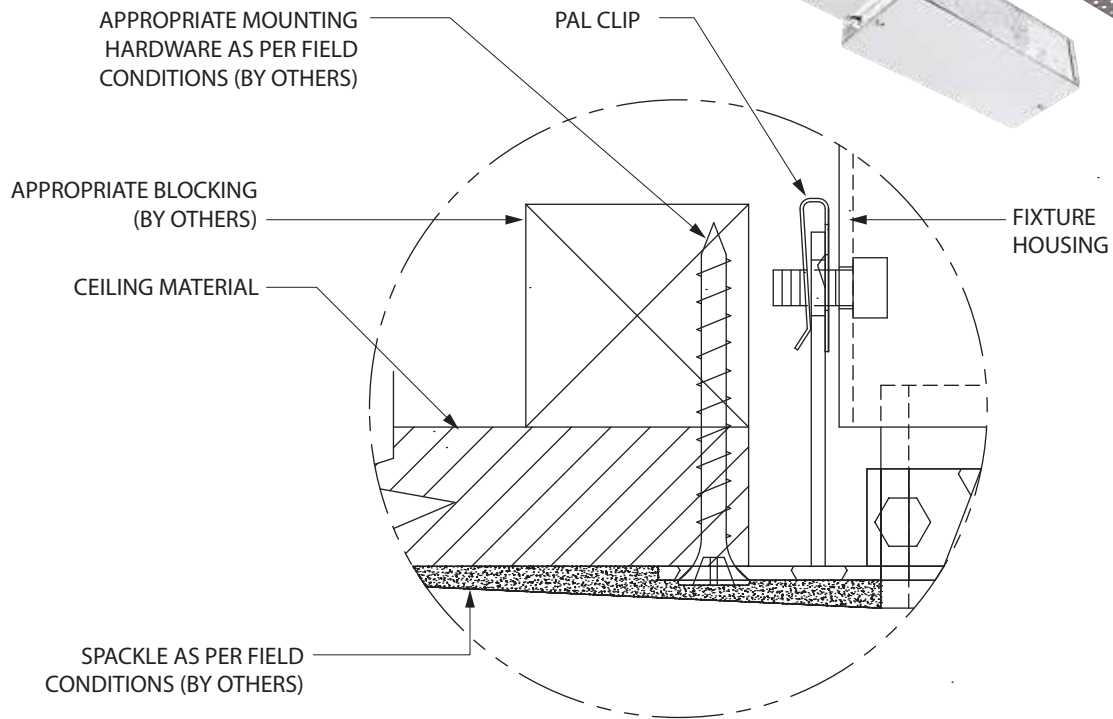
**Model # example:**

**M-2-LED/16-x-TA-REC-TL-CY**

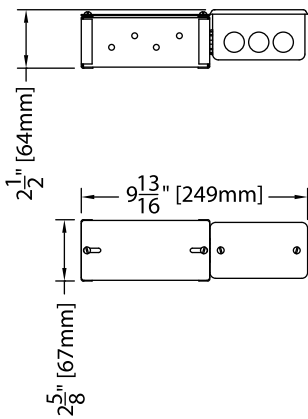


# Modular Multiples®

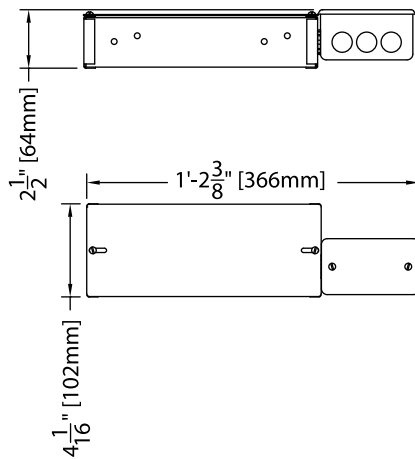
## Trimless TA Typical Installation



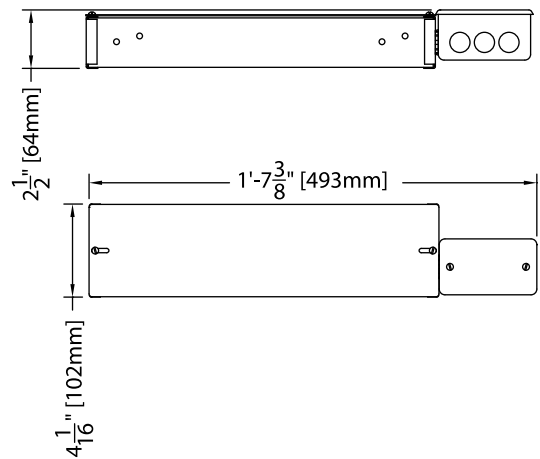
1 + 2 Light Transformer Housing



3 + 4 Light Transformer Housing



5 + 6 Light Transformer Housing



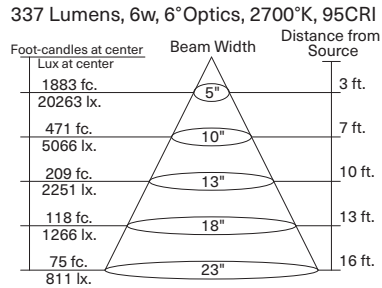
# Modular Multiples®

The Original Multiple Lamp Family of Fixtures

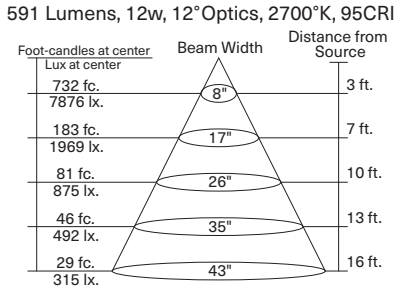


## Standard LED Modules

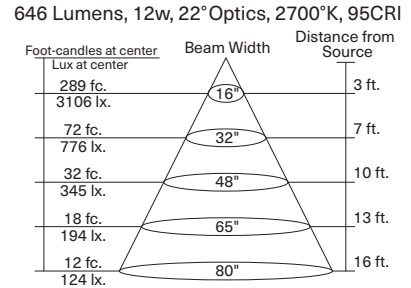
### LED-506-6



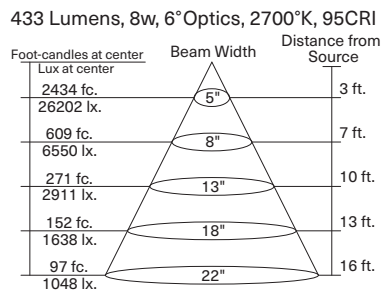
### LED-512-12



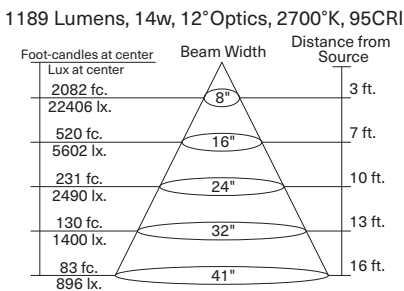
### LED-512-22



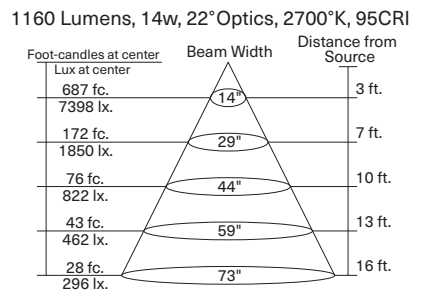
### LED-708-6



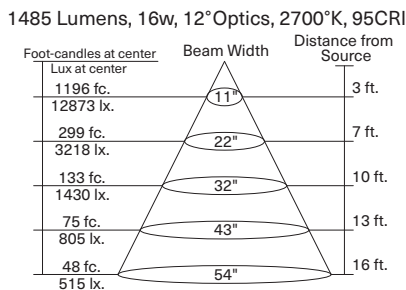
### LED-714-12



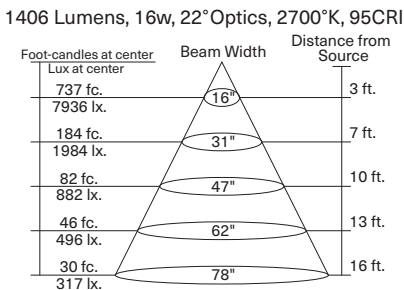
### LED-714-22



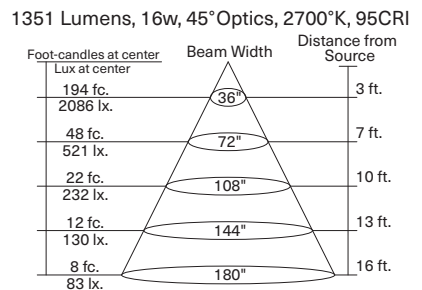
### LED-716-12



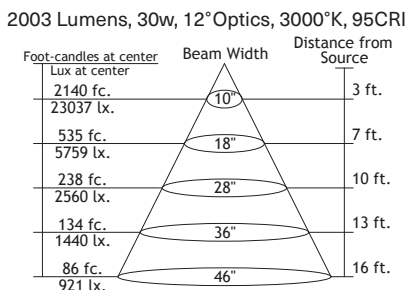
### LED-716-22



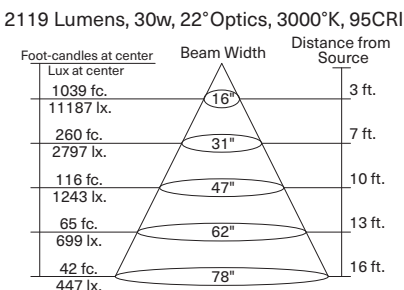
### LED-716-45



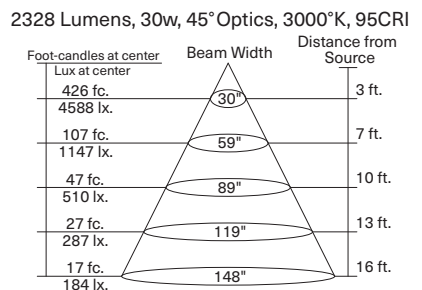
### LED-930-12



### LED-930-22



### LED-930-45



# Modular International, Inc.



## Elements™ 16w LED Module

**16<sub>w</sub>**

**Model :** LED-516

**Wattage:** 16

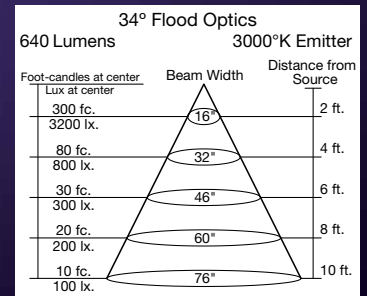
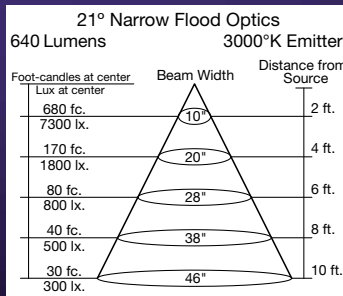
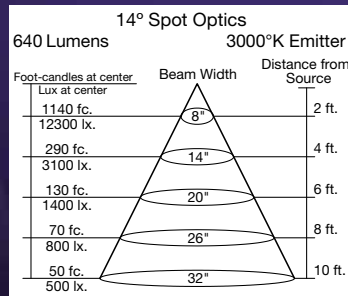
**Lumens:** 640 at 3000°K

**Kelvin Temperature:** 2850°K or 3000°K (+/- 2%)

**Standard CRI:** 95

**Accessories and customization available:** Tuning, dimming, beam angles, Kelvin temperature, shielding and filtering

**Beam Angles:** 14° Spot, 21° Narrow Flood, 34° Flood, 6° beam angle also available



## Elements™ 30w LED Module

**30<sub>w</sub>**

**Model :** LED-530

**Wattage:** 30

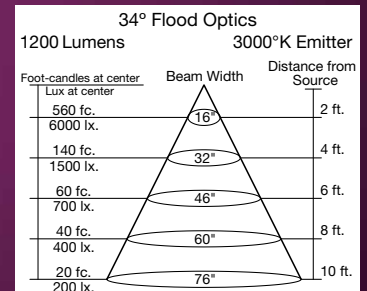
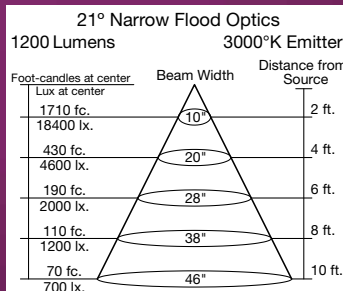
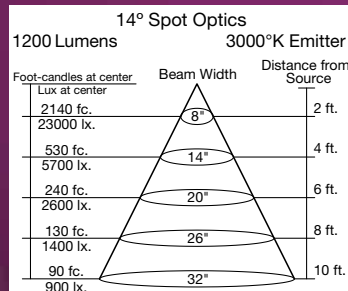
**Lumens:** 1200 at 3000°K

**Kelvin Temperature:** 2850°K or 3000°K (+/- 2%)

**Standard CRI:** 95

**Accessories and customization available:** Tuning, dimming, beam angles, Kelvin temperature, shielding and filtering

**Beam Angles:** 14° Spot, 21° Narrow Flood, 34° Flood, 6° beam angle also available



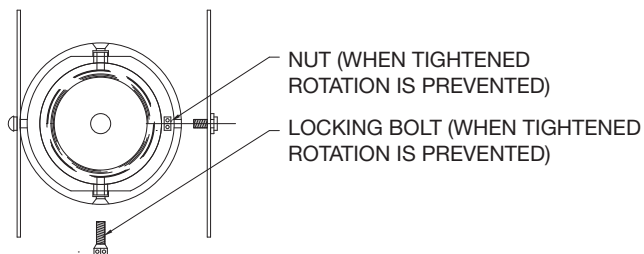
# Modular Multiples®

## Fixture Options

Modular accessories are used individually or in inventive combinations to shield brightness, reduce glare, vary beam patterns, retain direction, and alter color. Dimensions of all fixture options vary with lamp size.

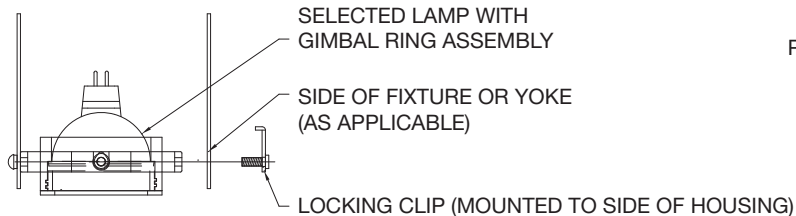
### Ring Sets and Locking Devices (PATENTED)

ADD -LM TO END OF MODEL NUMBER



NUT (WHEN TIGHTENED  
ROTATION IS PREVENTED)  
LOCKING BOLT (WHEN TIGHTENED  
ROTATION IS PREVENTED)

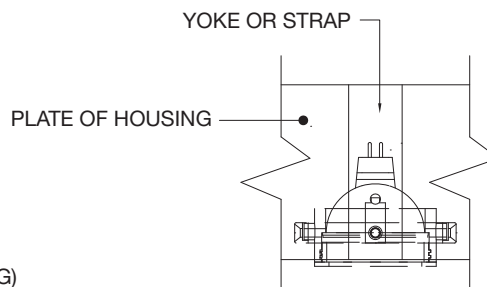
**BOTTOM VIEW**



SELECTED LAMP WITH  
GIMBAL RING ASSEMBLY  
SIDE OF FIXTURE OR YOKE  
(AS APPLICABLE)

LOCKING CLIP (MOUNTED TO SIDE OF HOUSING)

**FRONT VIEW**



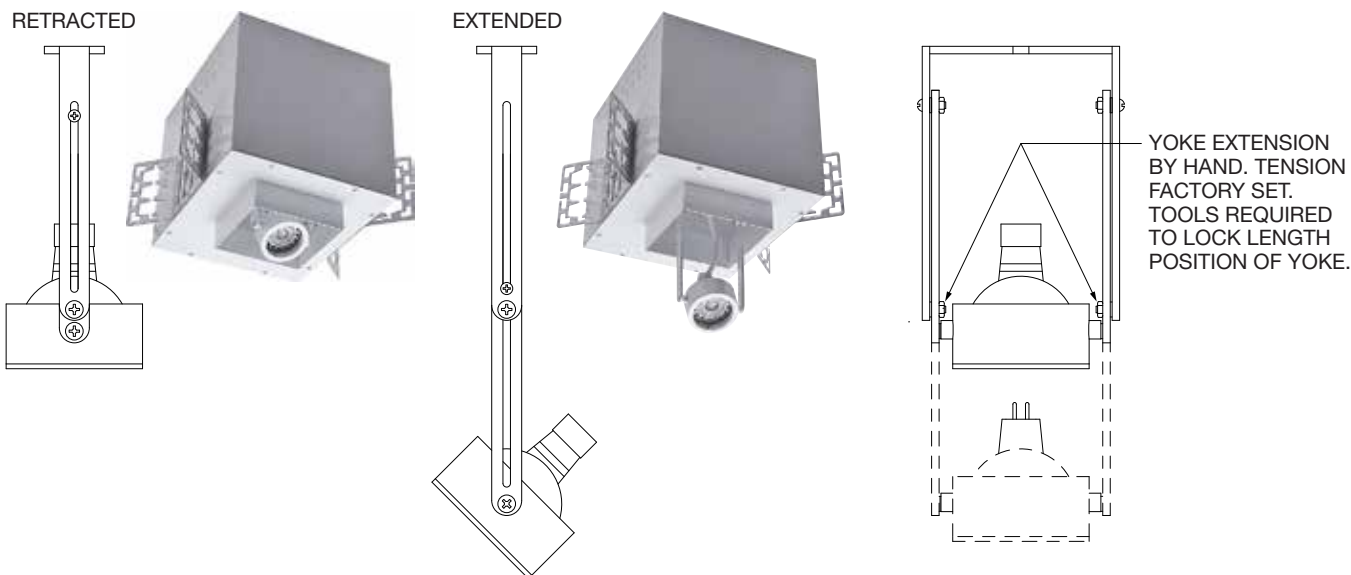
YOKE OR STRAP

PLATE OF HOUSING

**SIDE VIEW**

### Extendable Yokes

ADD -EY TO END OF MODEL NUMBER



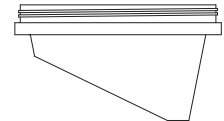
# Modular Multiples®

## Fixture Options

Modular accessories are used individually or in inventive combinations to shield brightness, reduce glare, vary beam patterns, retain direction, and alter color. Fixture option dimensions vary with lamp size.

### Shielding Options

ADD SHIELDING OPTION CODE (BELOW) TO END OF MODEL NUMBER



FILTER RING (STANDARD)

SHIELDING CONE (-SC)

SHIELDING CYLINDER (-CY)

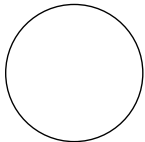
WALL WASH CONE (-WWC)

### Filter Media

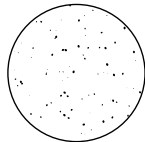
ADD FILTER MEDIA CODE (BELOW) TO END OF MODEL NUMBER

LED modules accept one 1/8" thick filter. LED direct replacement and legacy lamps accept up to two 1/8" thick filters.

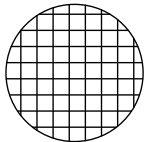
CLEAR GLASS (-CG)



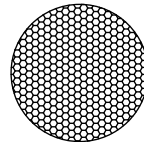
DIFFUSING SPREAD (-DS)



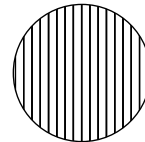
CUBE CELL LOUVER (-CL)



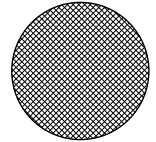
HEXCELL LOUVER (-HL)



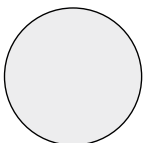
LINEAR SPREAD (-LS)



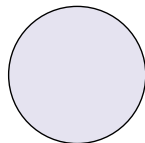
PRISMATIC WIDE SPREAD (-PS)



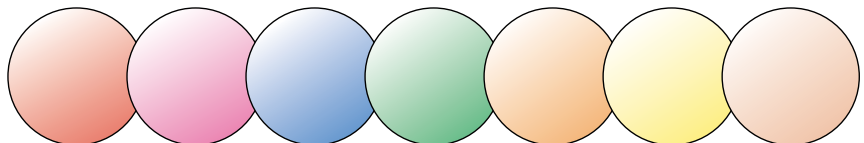
SATIN ETCHED (-SE)



UV BLOCKING (-UB)



DICHROIC



RED (-DR)

MAGENTA (-DM)

BLUE (-DB)

GREEN (-DG)

AMBER (-DA)

YELLOW (-DY)

PEACH (-DP)